

Genuine Bosch series parallel switch, European style

SP003

For serial and parallel connection of two 12V batteries with 24V starter.
Open construction, two switch poles.

OEM #: 0 333 300 003.

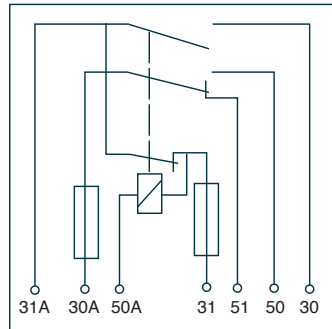
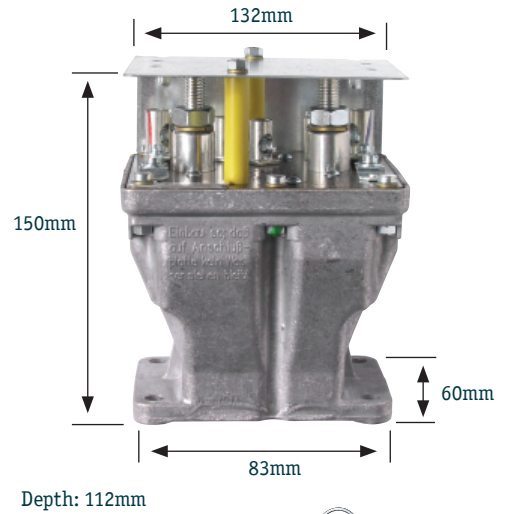
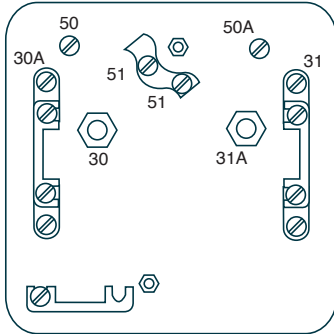
Voltage: 12V - 24V.

Switching Current: 75A.

Switching Current Short-term Operation (1 sec): 1500A.

Cyclic Duration Factor Max.: 2 min.

Mounting: 4 hole mount, 10mm diam.



WIRING CODE	PIN DESIGNATION
30	Battery 1 positive
30A	Battery 2 positive and Starter motor positive (30)
31	Earth
31A	Battery 2 negative
50	Starter motor switch terminal
50A	Start switch
51	Alternator B+
Battery 1 negative to earth	

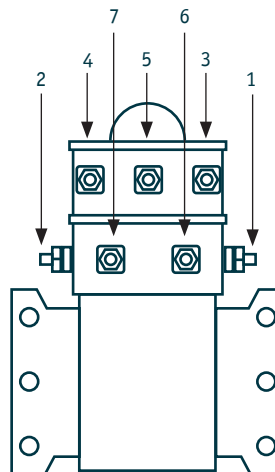
Series parallel switch, American style

SP9845

Can be used in either negative ground, positive ground, or insulated systems. If being used to replace another type switch of Delco Remy design, the numerical identification of the terminals is the same.

Voltage: 12V - 24V

WIRING CODE	PIN DESIGNATION
1	Battery 2 negative
2	Battery 1 positive and vehicle 12V system
3	Earth, via circuit breaker
4	Starter motor solenoid switch terminal
5	Battery 2 positive via circuit breaker
6	Earth
7	Start switch
Battery 1 negative to earth	



Switches